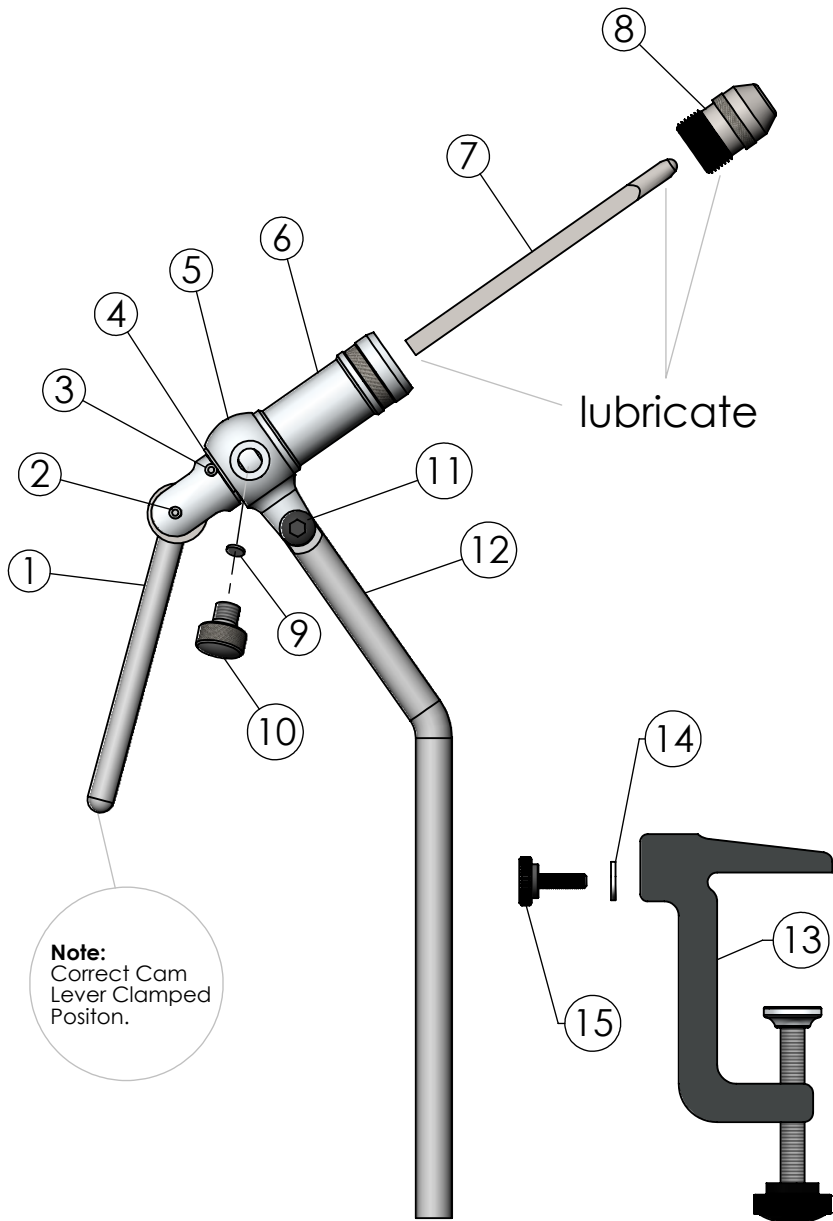


A6001 Apprentice



ITEM	PART NO.	DESCRIPTION	QTY.
1	600-60009	Cam Lever	1
2	130-03049	Cam Pin	1
3	130-03050	Jaw Alignment Pin	1
4	130-03110	Rotary Head Retaining Clip	1
5	600-60013	Rotary Head	1
6	600-60017	Rotary Housing	1
7	600-60023	Jaw	1
8	600-60019	Adj. Jaw Housing	1
9	110-10112	Plastic Tension Disc	1
10	600-60026	Rotary Tension Knob	1
11	120-01149	Hinge Screw	1
12	250-40027	Stem	1
13	251-40089	C-Clamp Frame Assly	1
14	120-01638	Washer	1
15	110-10004	Stem Clamp Knob	1

Your Renzetti vise should always be adjusted so that the hook is firmly held when the cam lever is approximately straight down. If the cam lever does not come down to the vertical position (See Illustration), screw the adjustable jaw housing out a little and reclamp. Repeat this procedure until the cam handle locks the hook in the correct position. This will prevent damage from unnecessary pressure being exerted on the jaws. Screwing the adjustable jaw housing in will make the slot in the jaw narrower for small hooks and vice-versa. Remember to re-adjust your vise clamping whenever changing hook sizes.

Note: There is no need to exert excessive force on the cam lever. Simply clamp the hook and test to see if it moves. If it does slip, readjust the adjustable jaw housing.

NOTE: Over clamping will cause damage to the jaws.

For the complete line of Renzetti products and accessories, please visit our websites or any of our authorized retailers:

www.renzetti.com
 www.truerotary.com
 Renzetti inc. Made in U.S.A.